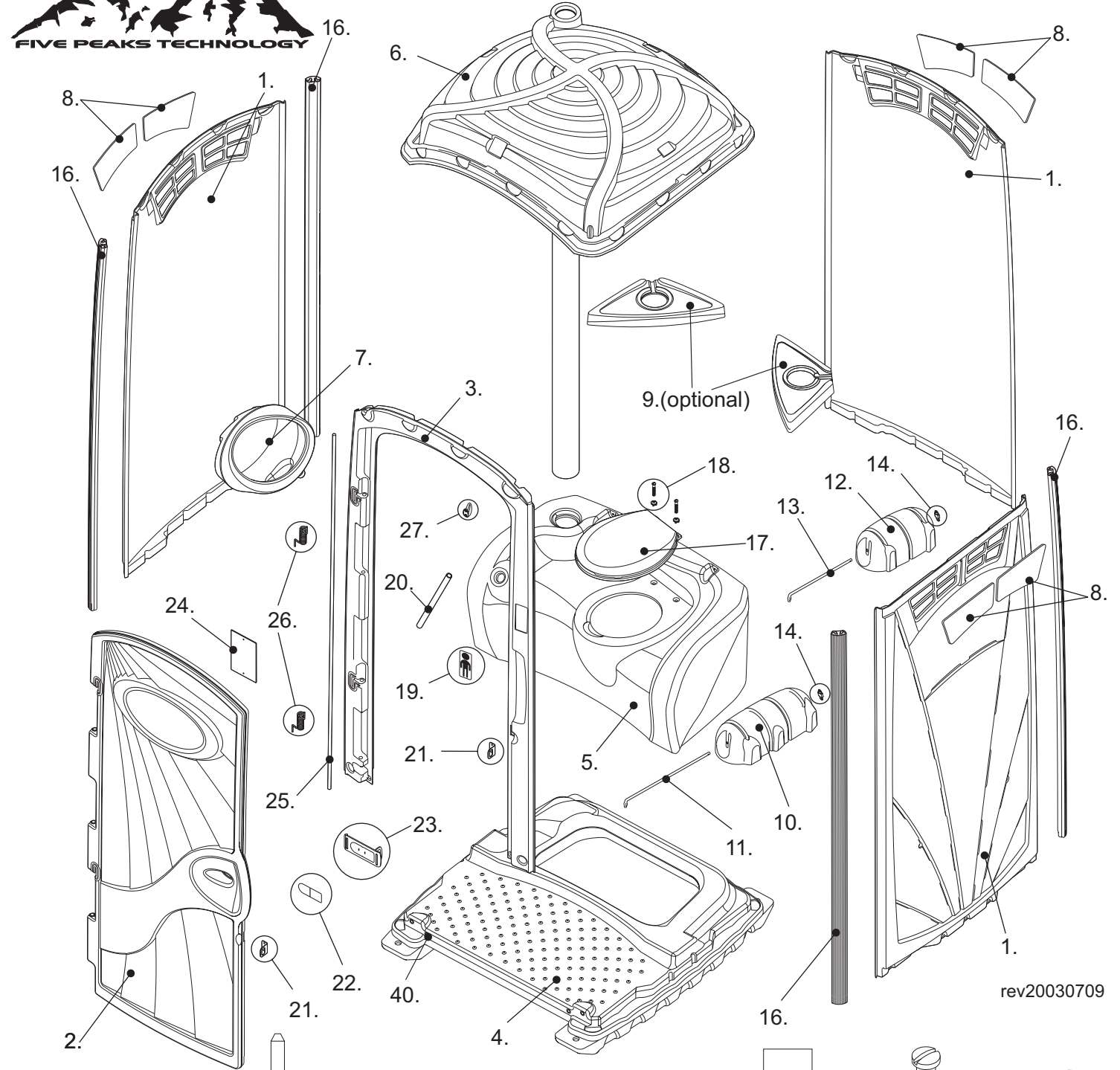




# K2 PARTS SHEET



rev20030709

